

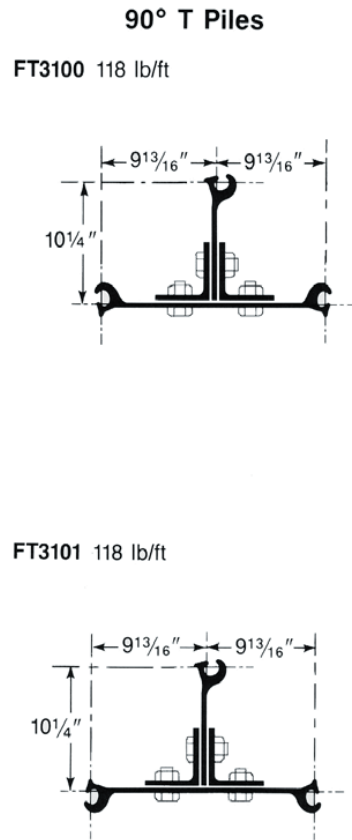
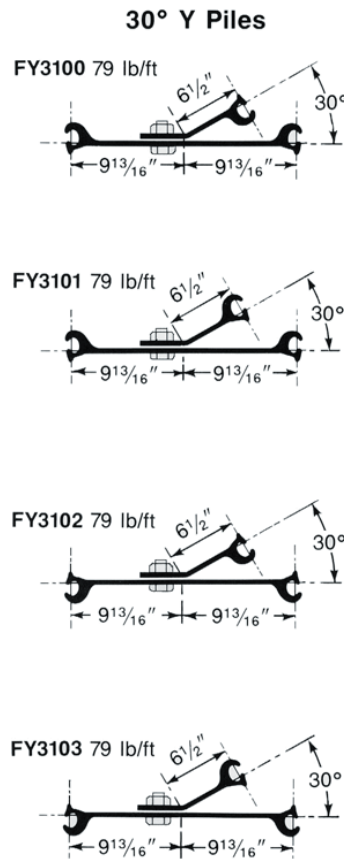
- With PS27 and/or PS31

Piling Accessories

Fabricated Connections

Standard Fabricated Connections Used with PS27.5 or PS31

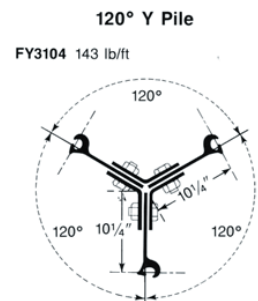
With specified interlock strength of 16 kips/in.



Notes:

- o It is suggested that the designer consider using section PS31 for all fabricated connections. The connections shown on this page are based on using PS31.
- o Angles, plates and bolts are as follows:

Connection	Angle in.	Bent Plate in.	Bolt Diameter in.
30 Y	-	-	7/8
90 T	5 x 5 x 1/2	-	7/8
120 Y	-	10 1/2 x 1/2	1



- o Angles and plates will be furnished in ASTM A36 steel.
- o Fasteners are high-strength ASTM A325 bolts, with washers, spaced on 4 1/2 -in. centers throughout the length of the section, except for the last 2 ft at each end where they are located on 3-in. centers.
- o A different arrangement of the interlock is obtained by reversing the connection end for end.

See General Specifications (page 34) for additional information.

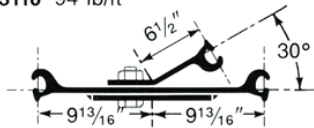
Standard Fabricated Connections

Used with PS27.5 or PS31

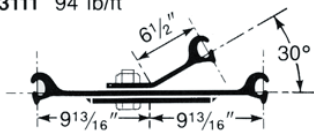
With specified interlock strength of 20 kips/in. or 24* kips/in.

30° Y Piles

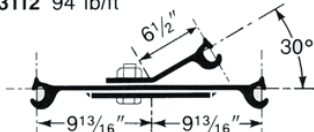
FY3110 94 lb/ft



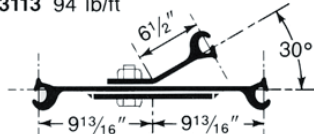
FY3111 94 lb/ft



FY3112 94 lb/ft

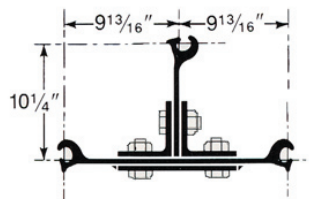


FY3113 94 lb/ft

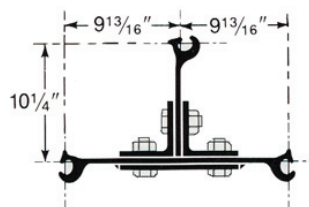


90° T Piles

FT3110 135 lb/ft

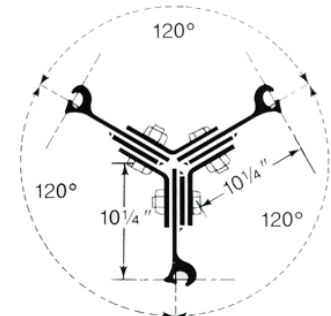


FT3111 135 lb/ft



120° Y Piles

FY3114 169 lb/ft



Notes:

- o It is suggested that the designer consider using section PS31 for all fabricated connections. The connections shown on this page are based on using PS31.
- o Angles, plates and bolts are as follows:

Connection	Angle in.	Bent Plate in.	Reinforcing Plate in.	Bolt Diameter in.
30 Y	-	-	10 1/2 x 3/8	1
90 T	5 x 5 x 1/2	-	10 1/2 x 3/8	1
120 Y	-	10 1/2 x 1/2	5 x 3/8	1 1/8

- o Angles and plates will be furnished in ASTM A36 steel.
- o Fasteners are high-strength ASTM A325 bolts, with washers, spaced on 4 1/2 -in. centers throughout the length of the section, except for the last 2 ft at each end where they are located on 3-in. centers.
- o A different arrangement of the interlock is obtained by reversing the connection end for end.

See General Specifications (page 34) for additional information.

*Not available in PS27.5. See page 23 for information on interlock strength.